

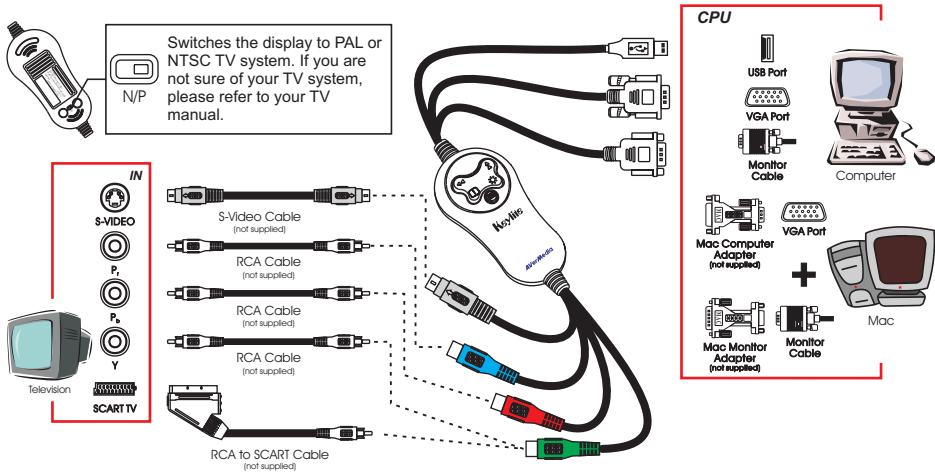
Watch Movies via DVD-ROM and Play PC Games on TV

INTRODUCTION

Thank you for purchasing **AVerMedia® AVerKey Lite**. This super compact PC/Mac-to-TV scan converter displays PC output to a big screen TV. This section covers the cable connection and touch button control functions.

Making the Connection

The figure below clearly shows, which cable should be connected to each port.



WARNING: Do not connect the S-video and the YP_bP_r at the same time. To avoid damaging the unit, operate this unit within a temperature range of 0° to 40°C (32°~104°F).

TOUCH BUTTON CONTROLS

The button controls provide easy access to enhance your presentation.

	Pan the image to the left.		Press to select from 3 brightness levels.
	Pan the image up.		Toggles between overscan, underscan and full screen modes.
	Press to switch from 3 sharpness levels.		

SUPPORTED DISPLAY MODES

The reference table below lists the various display resolutions that the **AVerKey Lite** can support.

Computer/Operating System	Display Resolution	Refresh Rate
IBM PC	720 x 400	70
	640 x 480	60, 70, 72, 75, 85, 100
	800 x 600	60, 70, 72, 75, 85, 100
	1024 x 768	60, 70, 72, 75, 85
Macintosh	640 x 480	67, 117
	800 x 600	95
	832 x 624	75
	1024 x 768	75