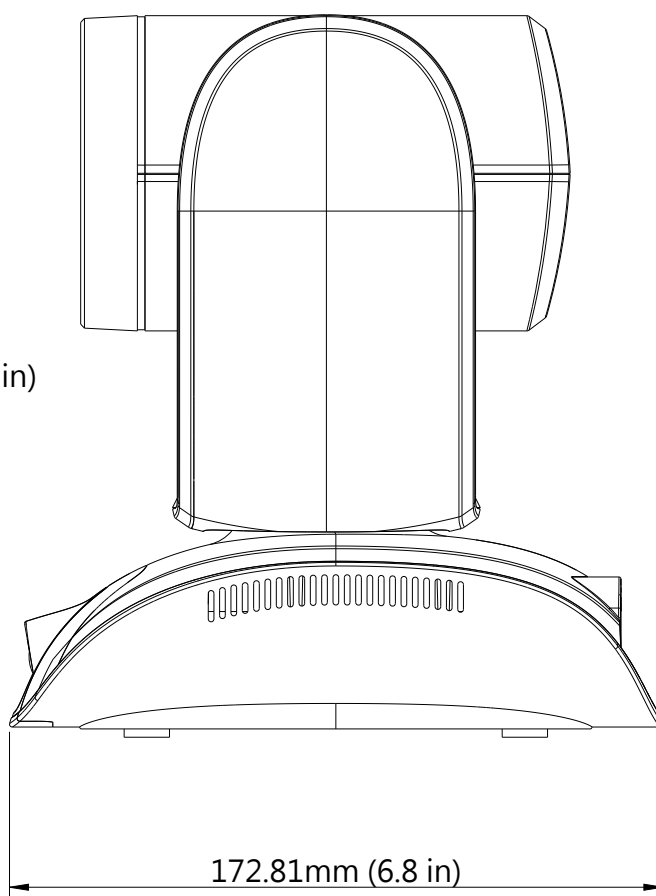
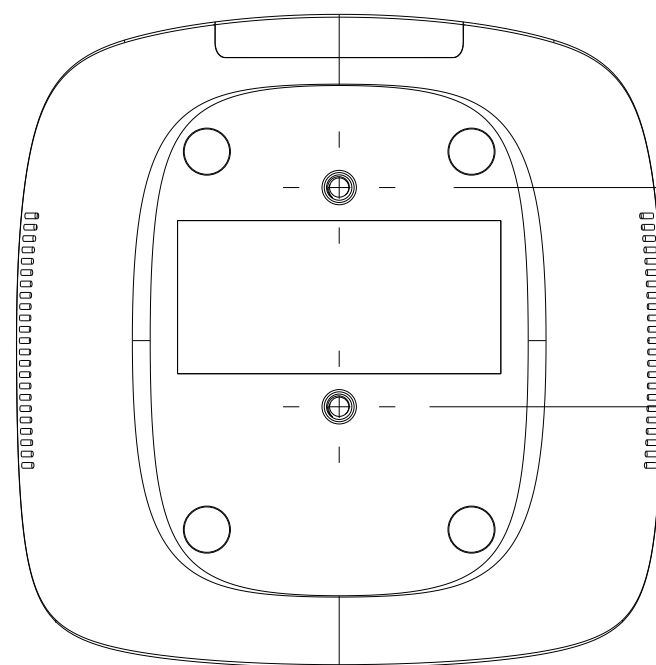
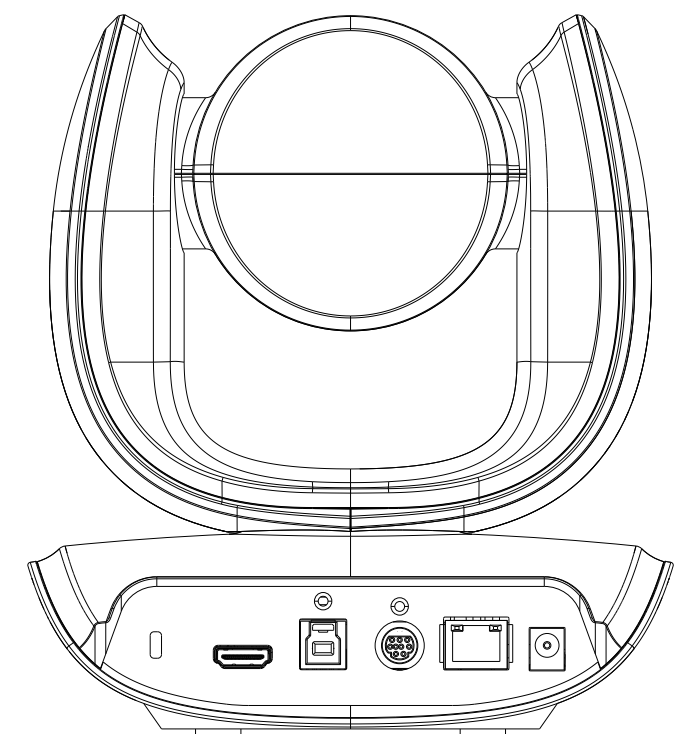


191.15mm (7.53 in)



172.81mm (6.8 in)



58.00mm (2.28 in)

68.98mm (2.72 in)

機密 (Confidentiality)

公差表	Unspecified tolerance			單位 UNIT	材質 MAT.	料號 PART NO.	品名 MODEL NAME
	TOLERANCE						
LENGTH	A class	B class	C class	比例 SCALE	版本 VERSION	日期 DATE	圖號 DRAW NO.
0~6mm	±0.10mm	±0.05mm		1:1	V0	2022/11/03	U301_2D_DRAWING
7~30mm	±0.15mm	±0.10mm					
31~100mm	±0.20mm	±0.15mm					
101~180mm	±0.25mm	±0.20mm					
181~300mm	±0.30mm	±0.25mm					
301~600mm	±0.50mm	±0.30mm					
Plastic Parts Angle ± 0.5°							
Metal Parts Angle ± 1°							
SHEET 1 OF 1				審核 CHK.BY		設計 DES.BY	
				Peter Hung		Randy Huang	
				製圖 DRA.BY		Steve Tsai	

註：1. 金手指PCB類,未標示之尺寸公差為±0.12mm,其它PCB類及其它機構件未標示之公差知公差表。  
 NOTE: 1. For PCB with golden finger, unspecified tolerance is ±0.12mm, other kinds of PCB and mechanical parts, unspecified tolerance see tolerance table.

註記 MARK NO.	日期 DATE	內容 DESCRIPTION	簽章 SIGNATURE

