

C20i

User Manual





WARNING

ALWAYS FOLLOW SAFETY PRECAUTIONS

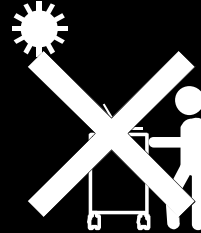
NEVER climb, sit or stand on the C20i cart.



ONLY ADULTS should move the C20i cart.



To reduce risk of electric shock **ONLY** use indoors.



- **DO NOT** allow anyone to sit, stand or climb on the C20i cart.
- **DO NOT** lift the C20i cart.
- **DO NOT** block the ventilation holes used for air circulation.
- **DO NOT** overload objects on the C20i shelves. (work platform maximum loading = 45kg / 99.20lbs; each pull-out shelf maximum loading = 22.7kg / 50.04lbs)
- Before moving C20i cart, disconnect the power from the wall outlet.
- While moving C20i cart, make sure the power cord is secured and tightly wrapped.

FCC NOTICE (Class A)



This device complies with Part 15 of the FCC Rules. Operation is subject to the following two conditions: (1) this device may not cause harmful interference, and (2) this device must accept any interference received, including interference that may cause undesired operation.

Federal Communications Commission Statement

NOTE- This equipment has been tested and found to comply with the limits for a Class A digital device, pursuant to Part 15 of the FCC Rules. These limits are designed to provide reasonable protection against harmful interference in a residential installation. This equipment generates uses and can radiate radio frequency energy and, if not installed and used in accordance with the instructions, may cause harmful interference to radio communications. However, there is no guarantee that interference will not occur in a particular installation. If this equipment does cause harmful interference to radio or television reception, which can be determined by tuning the equipment off and on, the user is encouraged to try to correct the interference by one or more of the following measures:

- Reorient or relocate the receiving antenna.
- Increase the separation between the equipment and receiver.
- Connect the equipment into an outlet on a circuit different from that to which the receiver is connected.
- Consult the dealer or an experienced radio/television technician for help.

Class A ITE

Class A ITE is a category of all other ITE which satisfies the class A ITE limits but not the class B ITE limits. Such equipment should not be restricted in its sale but the following warning shall be included in the instructions for use:

Warning - This is a class A product. In a domestic environment this product may cause radio interference in which case the user may be required to take adequate measures.

European Community Compliance Statement (Class A)



This product is herewith confirmed to comply with the requirements set out in the Council Directives on the Approximation of the laws of the Member States relating to Electromagnetic Compatibility Directive 2014/30/EU.

Warning - This is a Class A product. In a domestic environment this product may cause radio interference in which case the user may be required to take adequate measures to correct this interference.

DISCLAIMER

No warranty or representation, either expressed or implied, is made with respect to the contents of this documentation, its quality, performance, merchantability, or fitness for a particular purpose. Information presented in this documentation has been carefully checked for reliability; however, no responsibility is assumed for inaccuracies. The information contained in this documentation is subject to change without notice.

In no event will AVer Information Inc. be liable for direct, indirect, special, incidental, or consequential damages arising out of the use or inability to use this product or documentation, even if advised of the possibility of such damages.

TRADEMARKS

“AVer” is a trademark owned by AVer Information Inc. Other trademarks used herein for description purpose only belong to each of their companies.

COPYRIGHT

©2016 AVer Information Inc. All rights reserved.

All rights of this object belong to AVer Information Inc. Reproduced or transmitted in any form or by any means without the prior written permission of AVer Information Inc. is prohibited. All information or specifications are subject to change without prior notice.



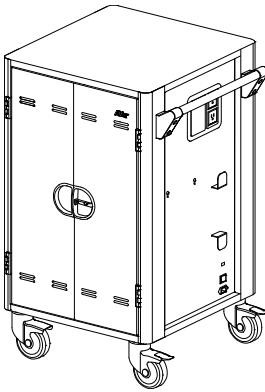
The mark of Crossed-out wheeled bin indicates that this product must not be disposed of with your other household waste. Instead, you need to dispose of the waste equipment by handing it over to a designated collection point for the recycling of waste electrical and electronic equipment. For more information about where to drop off your waste equipment for recycling, please contact your household waste disposal service or the shop where you purchased the product.

Contents

Package Contents	1
Dimensions	1
Diagram	2
LED Indicators	3
Secure the Cart.....	3
Door Lock	4
Cable Management	5
Charging Cart	7
Intelligent Timer	8
Firmware.....	8
Troubleshooting	9
Specifications.....	10
Service and Warranty	11

Package Contents

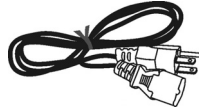
The following items are included in the package. Please check if each item is available before using.



C20i Cart

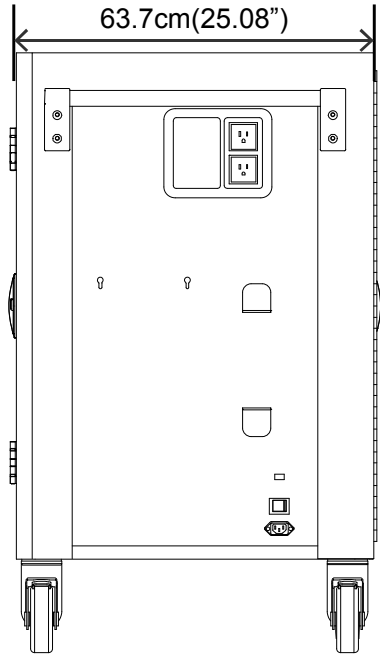
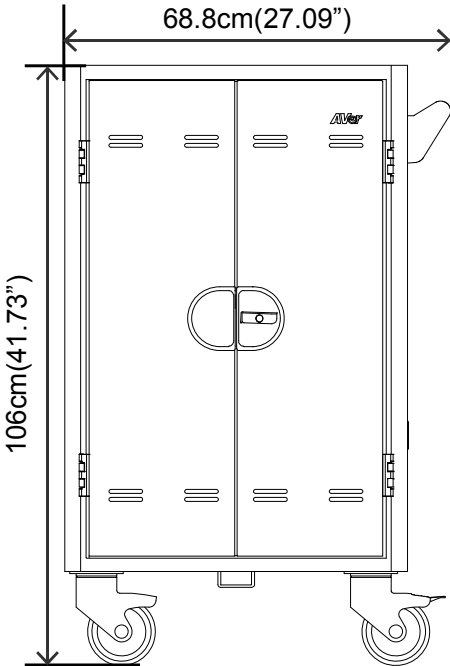


User Manual

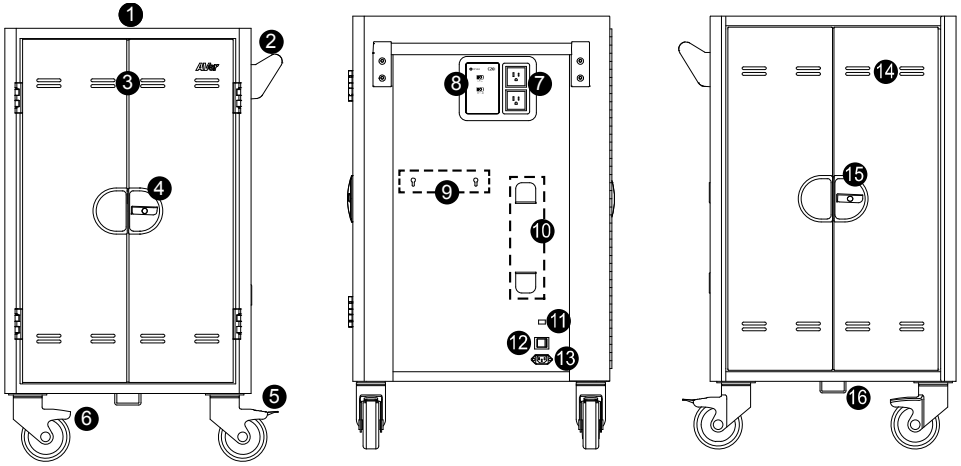


Power Cord

Dimensions

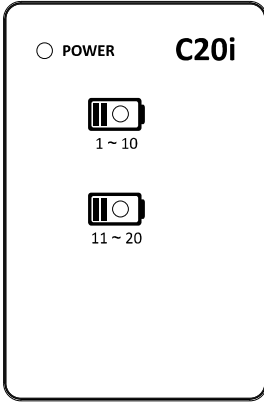


Diagram



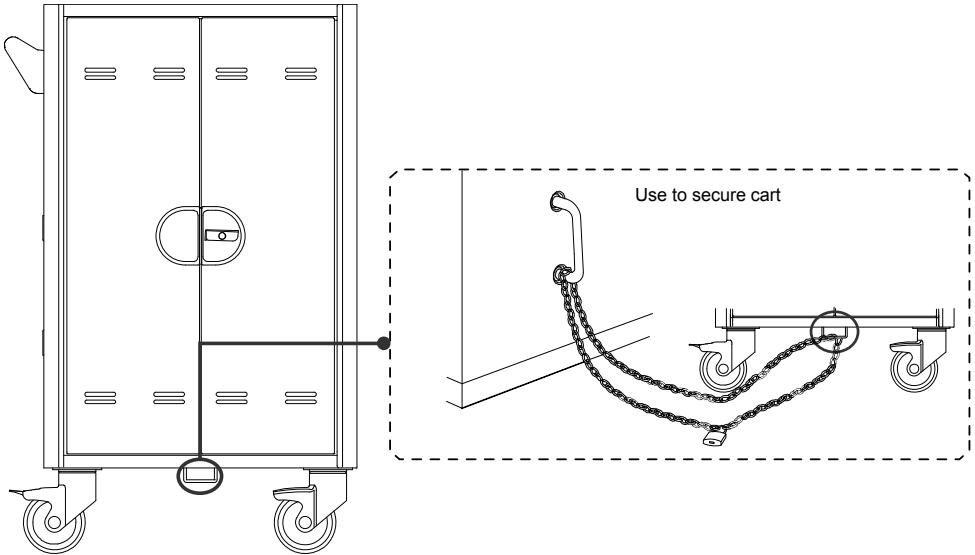
Front	Side	Back
1. Work platform	7. Auxiliary outlets	14. Ventilation holes
2. Handle	8. LED panel	15. Door lock
3. Ventilation holes	9. Mounting points for Access point holder(optional)	16. Security hook
4. Door lock	10. Power cable wrap brackets	
5. 5" Locking caster	11. USB firmware upgrade port	
6. 5" Caster	12. Power switch	
	13. Power inlet	

LED Indicators

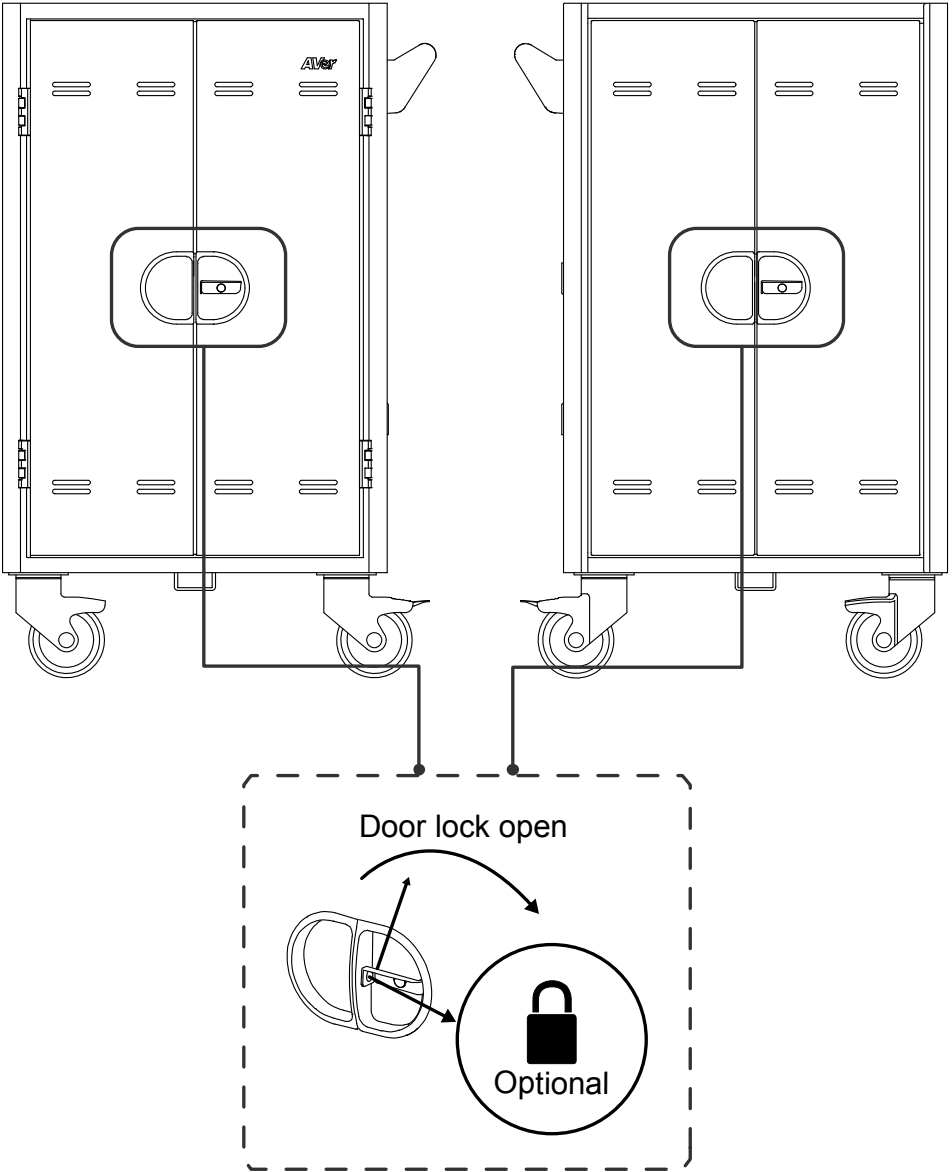


LED	Status
Power x1	<ol style="list-style-type: none"> 1. Solid Green: ON 2. Flashing Orange: Current Overload 3. Flashing Red: Abnormal Failure (Contact Support)
Device Status x2	<ol style="list-style-type: none"> 1. OFF: No Charging 2. Solid Blue: Charging

Secure the Cart



Door Lock



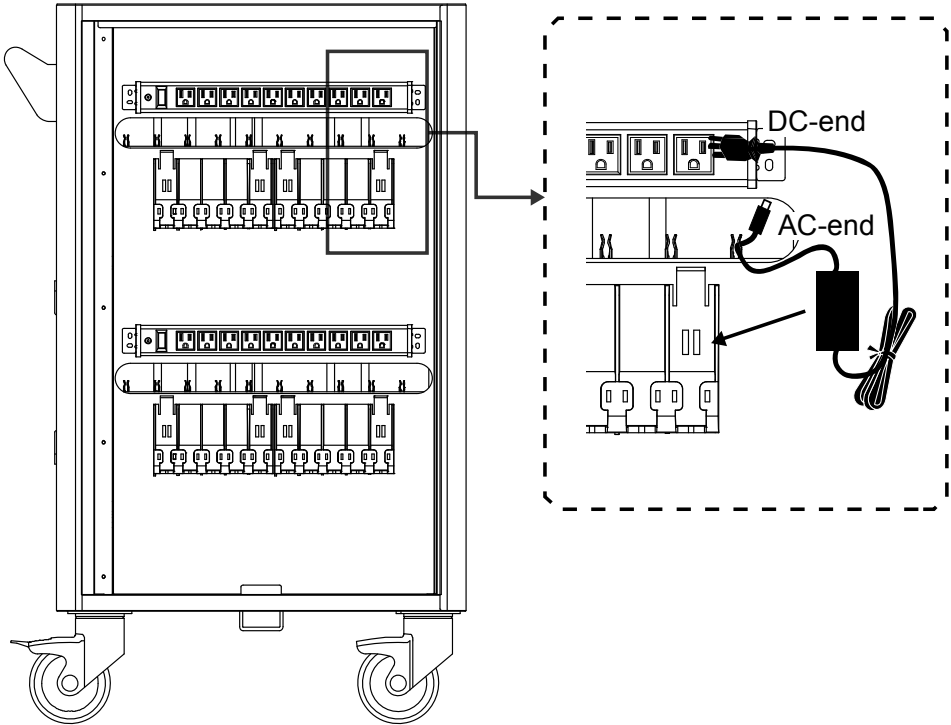
[Note] The shackle dimension of front and back doors are limited to $\varnothing 8\text{mm}$ (0.31").

Cable Management

[Note]

1. It is recommended to use cable ties (optional) to secure and manage cables.
2. It is recommended to allocate 2 human resources for efficient device cabling.

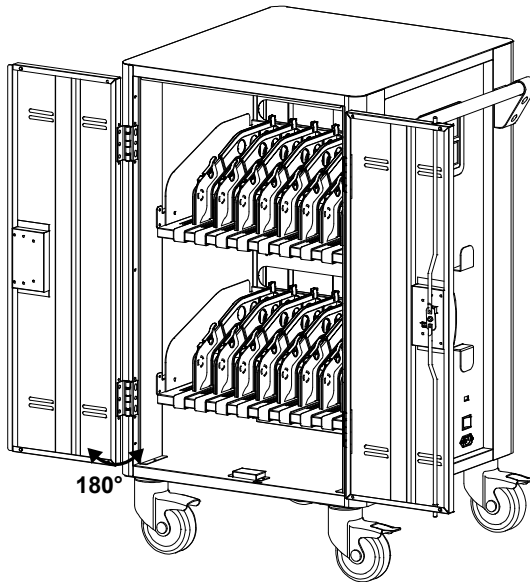
Back



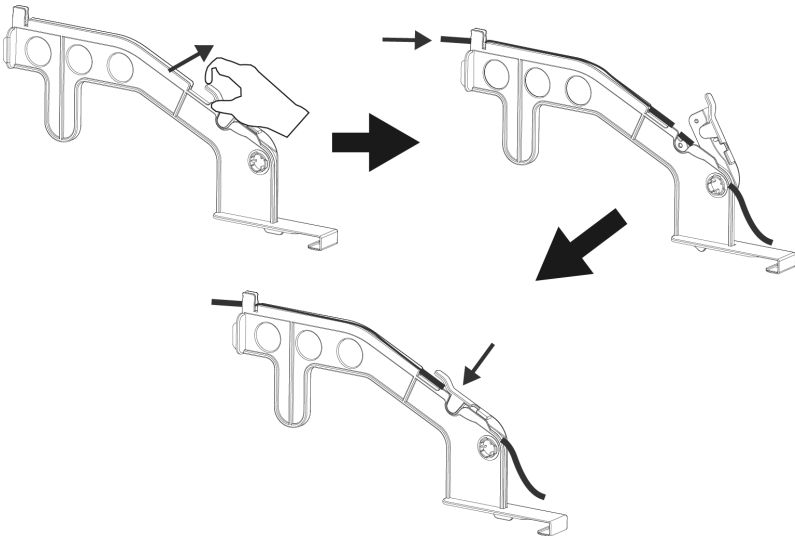
1. Open the rear door.
2. Place the power adapter in to the individual adapter compartment.
3. Pass the DC-end of the adapter cable to the front of the cart through the space provided.
4. Plug-in the AC-end power cord to the corresponding power AC socket.
5. Secure the bundle cables with cable tie or zip-tie (not supplied).

Front

1. Open front doors

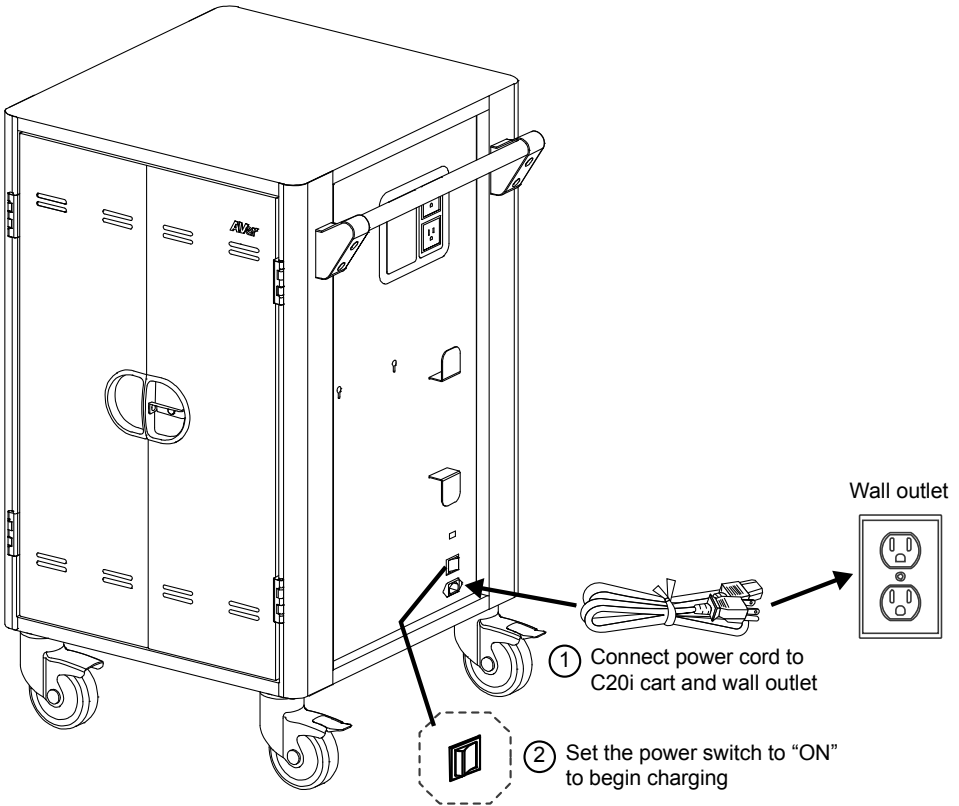


2. Release the partition locking piece.
3. Route the adaptor DC-end cable. Along with the V-shape routing groove.



4. Snap the locking piece to firmly secure the DC-end cable.
5. Place the mobile device into the bay.
6. Plug in the DC-connector to the mobile device.

Charging Cart

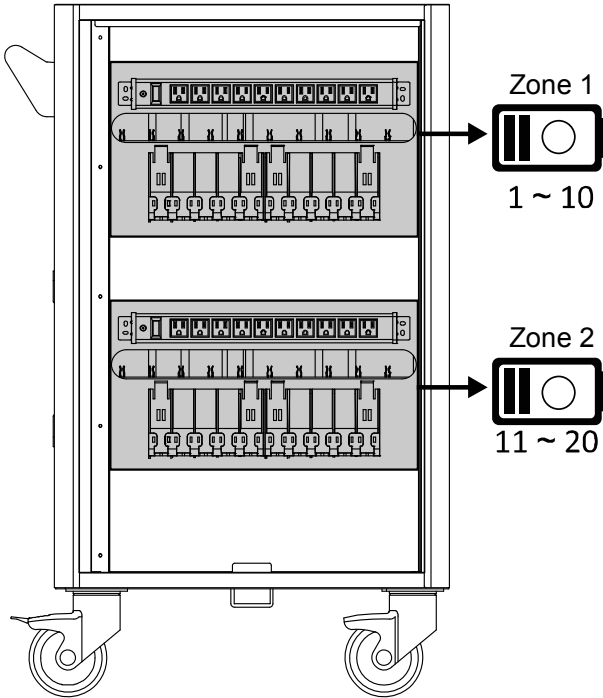


[Note]

1. Set the power switch to the **OFF** position before plugging the cart to wall outlet.
- 2.* Auxiliary outlet and power inlet type may vary as they are country dependent.

Intelligent Timer

20 bays for C20i are divided into 2 zones (10 bays for each zone).



Firmware

Firmware can be upgraded from the external USB type-A port via typical USB thumb-drive. Please follow the steps below to upgrade your Firmware:

1. Prior to updating, make sure the USB thumb-drive is formatted to FAT or FAT32 filesystem
2. Copy the Firmware binary file (*.bin) to USB thumb-drive
3. Turn **OFF** C20i and then insert the USB thumb-drive
4. Turn **ON** C20i and the Firmware upgrade will update automatically. The Power LED will cycle through the following display **RED** → **AMBER** → **GREEN** → **RED**.

[Note] Status LEDs are **OFF** during the upgrading.

5. Once the Firmware upgrade is completed, the Power LED will still display **RED** → **AMBER** → **GREEN** → **RED** in cycle, but the charging status LED's will turn **ON**.
6. Turn **OFF** C20i, remove the USB thumb-drive.

[Note]

C20i supports USB thumb-drive for the following criteria:

1. FAT or FAT32 filesystem (need to format if necessary).
2. 32GB capacity maximum.
3. USB 2.0 high speed interface.

Troubleshooting

Q: Why are all of my devices plugged in but not charging?

- A: 1. Make sure power cords are undamaged.
2. Make sure power cords are firmly inserted into the available socket with stable current.
 3. Make sure the power plug and current consumption are compliant with your country specification standards.

Q: My cart's main power cord or cart components are damaged. Are they covered under warranty?

A: We provide a 10 year warranty on the cart and tray, and 5 years warranty on the electrical components.

Q: How do I know if my devices will exceed more than the allotted current?

A: Have a qualified electrician verify the current consumption of your devices. Perform the test with devices installed and batteries discharged.

Q: When I plug in the device it trips the circuit breaker. What is wrong?

A: You may have other equipment or appliances sharing the same circuit that is causing a circuit overload. Have a qualified electrician check that adequate power is available in the circuit.

Specifications

Model	C20i
Capacity	Up to 20 Devices (2 shelves, 10 bays per shelf)
Supported Devices	Laptops/Chromebooks/Tablets up to 16"
AUX Outlets	2
LEDs Status Indicators	Status LED (x2): Solid Blue when charging
Charging Type	AC Intelligent Charging
Power Specification	AC IN: 100~120V, 50/60Hz, 12A Power Strip (x20 ports): 100~120V, 50/60Hz, 8A Outlet(2 ports): 100~120V, 50/60Hz, 4A
Security	Front Doors: 3-point locking mechanism with padlock hole Rear Doors: 3-point locking mechanism with padlock hole [Note] Padlock is not included in the package
Casters	Four 5" casters: two are lockable
Intelligent Charging	Yes
Working Temperature	0°~30°C
Working RH%	10%~90%
Storage Temperature	-40°C~60°C
Storage RH%	5%~95%
Warranty	10 years cart and tray 5 years electrical components
Cart Dimensions (W x D x H)	68.8 (W) x 63.7 (D) x 106 (H)cm 27.09"(W) x 25.08"(D) x 41.73"(H)
Slot Dimensions for 16 bays (H x W x D)	33(H) x 4.375(W) x 41.9(D)cm 13"(H) x 1.722"(W) x 16.5"(D)
Slot Dimensions For 20 bays (H x W x D)	33(H) x 3.615(W) x 41.9(D)cm 13"(H) x 1.423"(W) x 16.5"(D)
Weight without Devices	144.62lbs (65.6kg)

Service and Warranty

All of our products come with a quality and safety assurance.

For customers located in North America, please visit the AVer USA support site for comprehensive RMA, Warranty, and Service information:

<http://averusa.com/classroom-technology/support/>

For customers located outside North America, please visit AVer Global support site:

<http://www.aver.com/>

