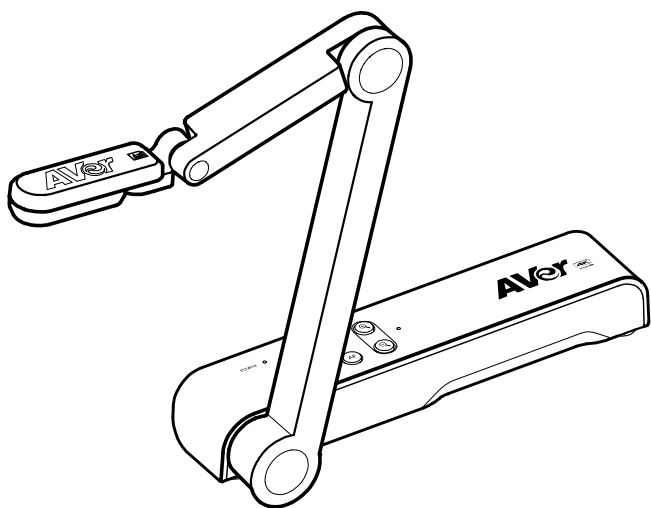


AVer
www.aver.com

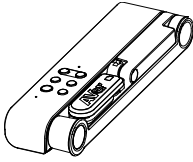


M15-13M **4K**
ULTRA HD

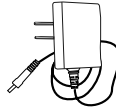
Instruction Manual | 安装指南

Package Contents

The items below are included with this product. If any item is missing, contact the dealer from whom you purchased this product.



M15-13M unit



Power adapter/ Power plug



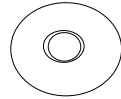
USB cable



Warranty card*



Instruction manual



Software CD**

*Only for Japan, Taiwan, China and Europe

**Only for Japan and Europe

Optional Accessories



Carrying bag



Anti-glare sheet

More Help

For FAQs, technical support, software and instruction manual download, please visit:

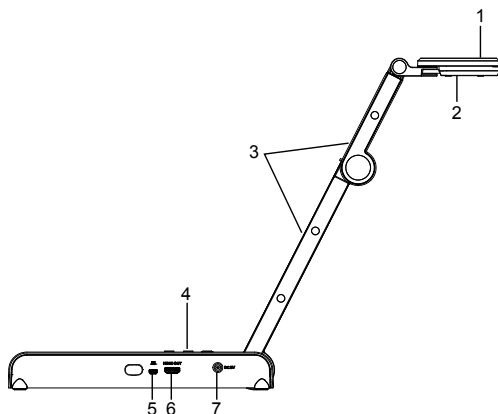
Global:

<http://presentation.aver.com/download-center/>

US:

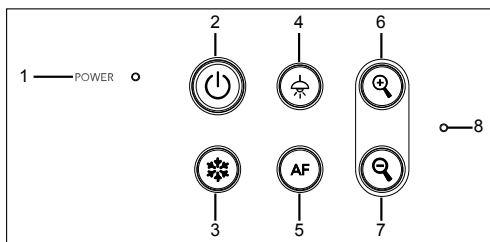
<https://www.averusa.com/education/support/>

Hardware Parts



1. Camera head	2. LED lighting
3. Arm	4. Control panel
5. USB port	6. HDMI output
7. DC power jack	

Control Panel



- | | |
|---------------------------------|-----------------|
| 1. Power indicator | 5. Auto focus |
| 2. Power button(on/off/standby) | 6. Zoom in |
| 3. Freeze | 7. Zoom out |
| 4. Lamp(on/off) | 8. Built-in MIC |

LED Indicator

Power	Solid green: Power on No light: Power off Solid red: Standby mode
--------------	--

[Note] To complete turn off the camera, press and hold the power button about 10 seconds to turn off.

Compound Key

Press and hold for 3 seconds to operate the compound key function.



MORE INFO / BATTERY : Display system information.



CAPTURE : Snapshot the current screen image to software or cloud.

Press keys to operate the compound key function.

FACTORY RESET



: Back to factory default settings.

RESOLUTION



: Press to switch between following modes:

- Auto detects the best resolution(4K, 720P, 1080P)
- 1024x768 (If HDMI device support)
- 4K 60Hz (If HDMI device support)

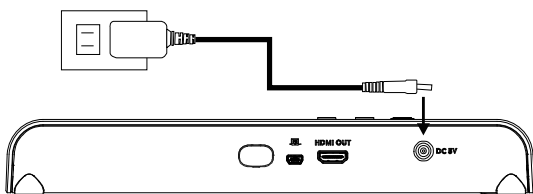
MODE



: Press to switch between following modes:

- Normal: Adjust the gradient of image.
- Motion: Increase frame rate. Sufficient lighting is required when using this mode.
- High quality: Better image quality.

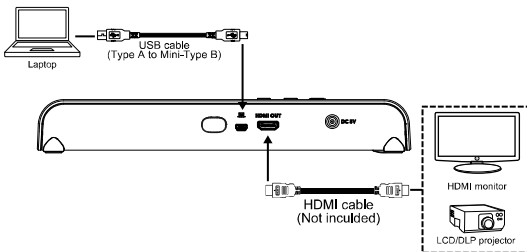
Power Connection and Charging



- When the camera is power on, the camera is in **“Standby”** mode. In standby mode, it can be charging through the USB connection from other device; but the power supply is required 5V/2A and the charging time will be longer.
- The laptop, projector, or monitor **cannot** provide the power through the USB connection to the camera while the camera is operating.
- When the camera is charging through the wall outlet, the power indicator is in green flashing.
- Press **(AF) + (Q)** when the camera doesn't work properly. The camera back to standby mode.

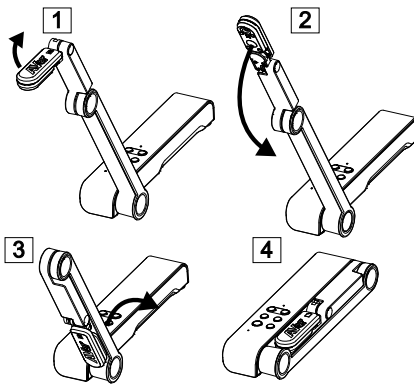
Devices Connection

When camera connects to laptop through the USB port, the Wi-Fi mode is disabled. Please follow the direction on HDMI device.

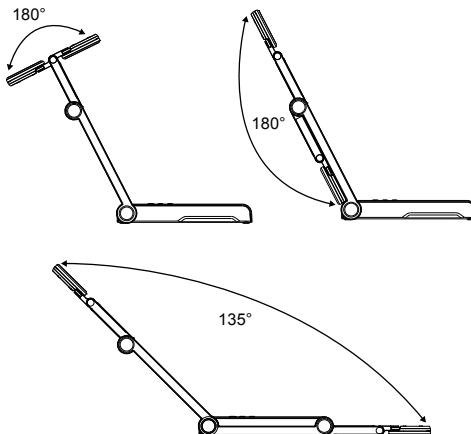


Using the Camera

Storage the Camera

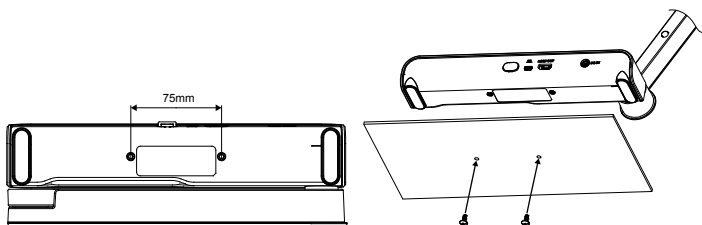


Using Angle of the Camera



Using the Camera (continue)

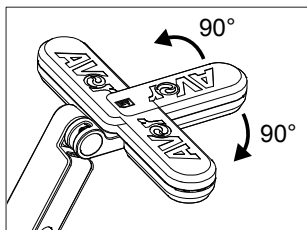
Mounting the Camera on a Flat Surface



Rotate the Camera Head

Move the camera head as figure shown.

[CAUTION] To avoid damage the camera head, hold the edge of the camera head to rotation the camera head.



Shooting Area

When camera position is 330mm high, the shooting area will be A3 size. Place the object as illustrate show, the object image is in positive direction.

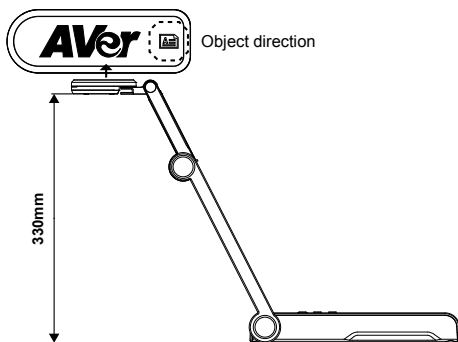
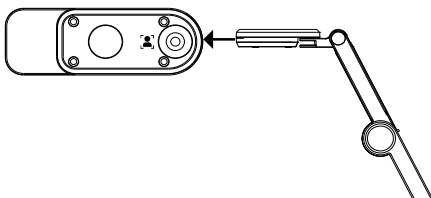


Image Shooting Direction

To shoot people, adjust the camera lens as illustrate shown; the people image is in positive direction.



Specification

Sensor	1/3.06" VCM
Pixel Count	13 megapixels
Frame Rate	60 fps (max.)
Preview mode	Normal /Motion/High Quality
Effect	Color / B.W / Negative
HDMI Output	4K; Full HD 1080p 60Hz; HD 720p 60Hz
Focusing	Auto / Manual
Shooting Area	426mm x313mm @ 330 mm
Zooming	Total 23X maximum
Power Source	DC5V/ 2A, AC 100-240V
Consumption	4 Watts(lamp on) 3.5 Watts(lamp off)
USB Bus Power	Yes(Standby mode only)
Lamp Type	LED light
USB	USB Type mini-B x 1
DC 5V Input	Power Jack
MIC	Built-in
Operating	518mm(L)*84 mm(W)*351mm(H) (+/-2mm include rubber foot)
Folded	280mm(L)*84mm(W)*42mm(H) (+/-2mm include rubber foot)
Net Weight	0.68 kg (about 1.5 lbs)
Gross Weight	1.4 (about 3.1 lbs)
Software Supported	ePTZ Image/ Area capture Picture by Picture Timer Cloud library Recording Annotation

Federal Communications Commission Statement

NOTE: This equipment has been tested and found to comply with the limits for a Class A digital device, pursuant to part 15 of the FCC Rules. These limits are designed to provide reasonable protection against harmful interference when the equipment is operated in a commercial environment. This equipment generates, uses, and can radiate radiofrequency energy and, if not installed and used in accordance with the instruction manual, may cause harmful interference to radio communications. Operation of this equipment in a residential area is likely to cause harmful interference in which case the user will be required to correct the interference at his own expense.

FCC Caution: Any changes or modifications not expressly approved by the party responsible for compliance could void the user's authority to operate this equipment.

This device complies with part 15 of the FCC Rules.

Operation is subject to the following two conditions:

- (1) This device may not cause harmful interference, and
- (2) this device must accept any interference received, including interference that may cause undesired operation.

CE Class A

Warning:

This is a class A product. In a domestic environment this product may cause radio interference in which case the user may be required to take adequate measures.

NOTICE

SPECIFICATIONS ARE SUBJECT TO CHANGE WITHOUT PRIOR NOTICE. THE INFORMATION CONTAINED HEREIN IS TO BE CONSIDERED FOR REFERENCE ONLY.

COPYRIGHT

©2019 AVer Information Inc. All rights reserved.

TRADEMARKS

"AVer" is a trademark owned by AVer Information Inc. Other trademarks used herein for description purpose only belong to each of their companies.

CAUTION

Risk of Explosion if Battery is replaced by an Incorrect Type. Dispose of Used Batteries According to the Instructions.

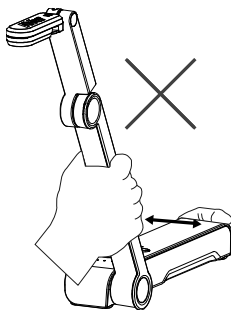
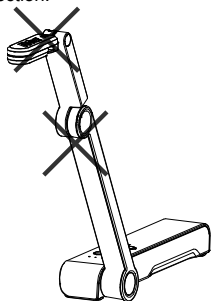
DISCLAIMER

No warranty or representation, either expressed or implied, is made with respect to the contents of this documentation, its quality, performance, merchantability, or fitness for a particular purpose. Information presented in this documentation has been carefully checked for reliability; however, no responsibility is assumed for inaccuracies. The information contained in this documentation is subject to change without notice.

In no event will AVer be liable for direct, indirect, special, incidental, or consequential damages arising out of the use or inability to use this product or documentation, even if advised of the possibility of such damages.

WARNING

- Do not drop the camera or subject it to physical shock.
- Use the correct power supply voltage to avoid the damaging camera.
- Do not place the camera where the cord can be stepped on as this may result in fraying or damage to the lead or the plug.
- Do not pull the mechanical arm and camera part in the opposite direction.
- To reduce the risk of fire or electric shock, do not expose this appliance to rain or moisture. Warranty will be void if any unauthorized modifications are done to the product.
- Hold the bottom of the camera with both hands to move the camera. Do not grab the lens or mechanical arm to move the camera.



THE MARK OF CROSSED-OUT WHEELED BIN INDICATES THAT THIS PRODUCT MUST NOT BE DISPOSED OF WITH YOUR OTHER HOUSEHOLD WASTE. INSTEAD, YOU NEED TO DISPOSE OF THE WASTE EQUIPMENT BY HANDING IT OVER TO A DESIGNATED COLLECTION POINT FOR THE RECYCLING OF WASTE ELECTRICAL AND ELECTRONIC EQUIPMENT. FOR MORE INFORMATION ABOUT WHERE TO DROP OFF YOUR WASTE EQUIPMENT FOR RECYCLING, PLEASE CONTACT YOUR HOUSEHOLD WASTE DISPOSAL SERVICE OR THE SHOP WHERE YOU PURCHASED THE PRODUCT.

CONTACT INFORMATION

Global

AVer Information Inc.

www.aver.com

8F, No.157, Da-An Rd., Tucheng Dist.,

New Taipei City

Taiwan

Tel: +886-2-2269-8535

European Headquarters

AVer Information Europe B.V.

Westblaak 140, 3012KM, Rotterdam, Netherland

Tel: +31(0)10 7600 550

Technical support: EU.RMA@aver.com

USA

AVer Information Inc.

www.averusa.com

668 Mission Ct

Fremont, CA 94539, USA

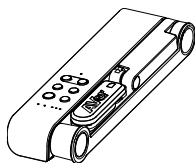
Toll-free: 1(877)528-7824

Local: 1(408)263-3828

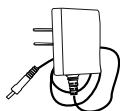
Support.usa@aver.com

内容包装物

请确定包装中附有下列项目的物品。如有缺少的项目，请与你的经销商联络。



M15-13M 本机



电源变压器/电源插头



USB 连接线



保固卡

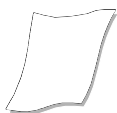


使用指南

选购配件



手提袋



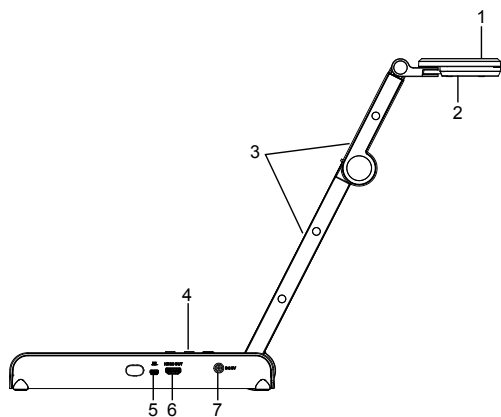
防眩光片

信息

技术问题、技术支持、软件和使用指南下载，请链接下面网址：

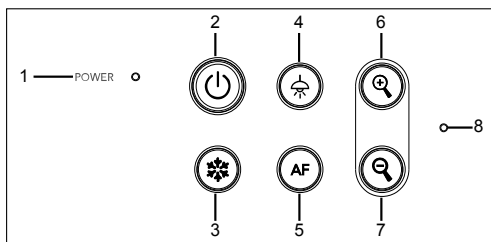
<http://presentation.aver.com/download-center/>

硬件介绍



1. 摄影机头	2. LED 灯
3. 机械臂	4. 控制面板
5. USB 埠	6. HDMI 输出埠
7. DC 电源插孔	

控制面板



- | | |
|----------------------|----------|
| 1. 电源灯号 | 5. 自动对焦 |
| 2. 电源钮
(启动/关闭/待机) | 6. 画面放大 |
| 3. 画面暂停 | 7. 画面缩小 |
| 4. 顶灯(开启/关闭) | 8. 内建麦克风 |

LED 灯号

电源	绿灯恒亮: 电源启动 熄灭: 电源关闭 红灯恒亮: 待机模式
-----------	---

[注] 要完全关闭机器，请长按电源钮约 10 秒。

复合功能键

长按 3 秒启动组合键功能



MORE INFO / BATTERY : 显示系统信息。



CAPTURE : 可撷取目前画面影像，透过软件上传到云端或储存到软件。

按下组合键启动功能。

FACTORY RESET



+



: 回到出厂默认值。

RESOLUTION

: 两键一起按可切换下列分辨率



+



- 自动侦测最佳分辨率：4K、720P、1080P
- 1024x768（如果连接的 HDMI 设备有支持）
- 4K 60Hz（如果连接的 HDMI 设备有支持）

MODE

: 两键一起按可切换下列模式

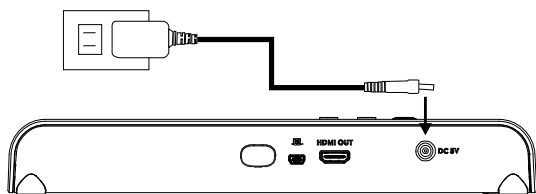


+



- 一般模式：调整影像渐层
- 运动模式：增加讯框率，使用此模式需要充足的光线。
- 高质量模式：更佳的影像质量

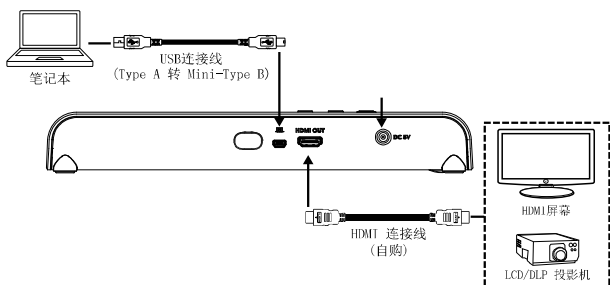
连接电源和充电



- 首次使用请完全充电后才使用。
- 当电源启动后，机器是位于「待机」状态。在待机状态，可透过 USB 线与其他可供电设备而不(如：计算机)充电；但电源需为 5V/2V 且充电时间较长。
- 当机器在运作时(非待机状态)，笔记计算机、投影机或屏幕无法透过 USB 线连接提供电力给机器
- 当连接到墙上的插座充电时，电池灯号显示为绿灯闪烁。
- 当机器无法操作时，按 + 键可重启机器回到待机状态。

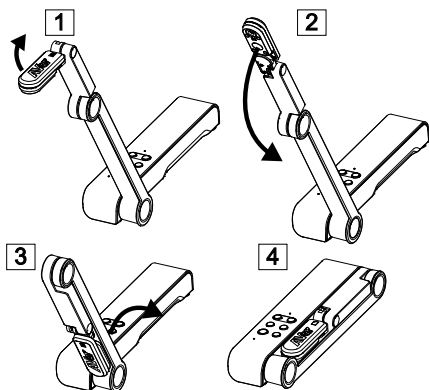
设备连接

当机器透过 USB 线连接到笔记本电脑，切换为 USB 模式，其连接模式会显示于相连的 HDMI 屏幕上。

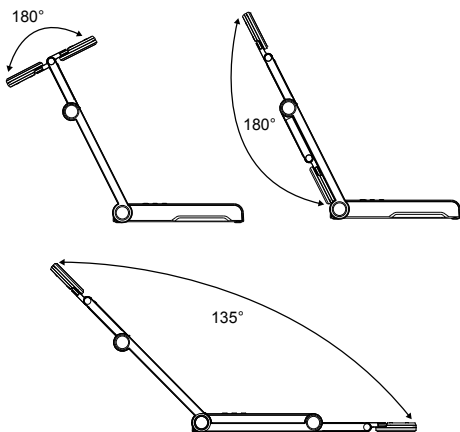


使用 M15-13M

收纳 M15-13M

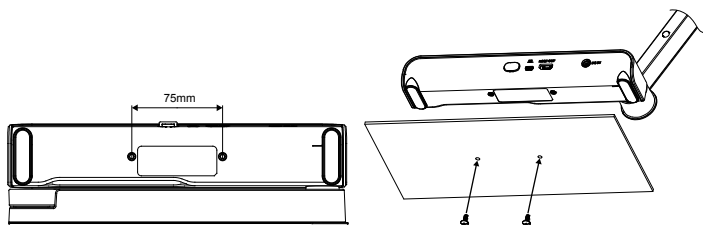


可使用角度



使用 M15-13M(接续)

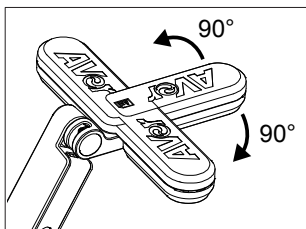
安装 M15-13M 于平面上



旋转镜头

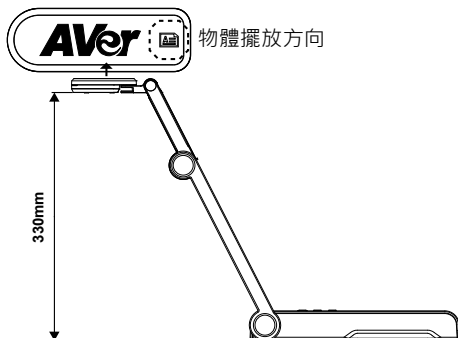
请照图中所示旋转镜头，往左 90 度或往右 90 度。

[注意] 未免损伤镜头，请将手抓在镜头的两侧来旋转。



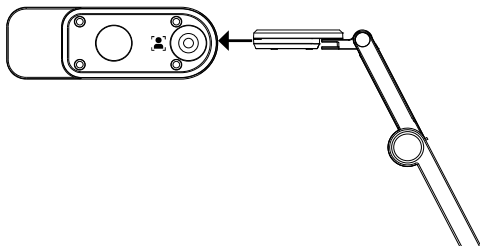
拍摄范围

当镜头高度位于 330mm 时，此拍摄区域可拍摄最大范围在 A3 尺寸内。照镜头上方图标摆放物体，所投射出来的影像是正方位。



人像拍摄方向

当拍摄人物时，请将镜头向外转而且镜头上的人物图示为正的，人物立于镜头前，所拍摄的人物影像会是正方位。

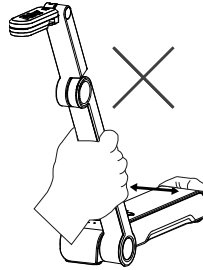
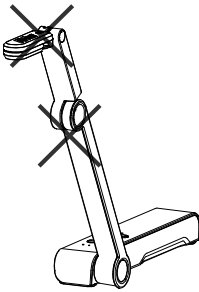


规格

传感器	1/3.06" VCM
有效画素	1300 万画数
画格速率	60 fps (最高)
影像模式	一般/运动/高质量
效果	彩色 / 黑白 / 负片
HDMI 输出	4K; Full HD 1080p 60Hz; HD 720p 60Hz
对焦	自动/手动
拍摄范围	426mm x313mm @ 330 mm
缩放倍数	最高 23 倍数位变焦
电源	DC5V/ 2A, AC 100-240V
耗电量	4 Watts (开灯) 3.5 Watts (不开灯)
USB Bus Power	有(在待机状态有支持)
顶灯	LED 灯
USB	USB Type mini-B x 1
DC 5V 输入	电源插孔
麦克风	内建
使用时	518mm(L)*84 mm(W)*351mm(H) (+/-2mm 包含橡胶底座)
收起后	280mm(L)*84mm(W)*42mm(H) (+/-2mm 包含橡胶底座)
净重	0.68 kg (about 1.5 lbs)
毛重	1.4 (about 3.1 lbs)
软件支持	ePTZ 影像/区域 PBP(画面并排) 计时功能 云端图书馆 录像 注记功能

警告

- 为降低火灾或触电风险，请勿将本产品暴露在雨中或潮湿环境中。如果对产品进行任何未经授权的修改，保固将无效。
- 请勿使机器掉落或受到撞击。
- 请使用正确的电源电压以避免损坏机器。
- 请勿将机器放在容易被踩到电源线的地方，否则可能会导致电源线或插头磨损或损坏。
- 请用双手握住机器底部以移动机器。请勿抓住镜头或机械臂来移动机器。
- 请勿往左右相反方向拉扯机械臂和机器本体。



免责声明

对于产品质量、效能、适销性或特定用途之适用性，本文件内容皆不代表任何明示或暗示保固或陈述。本文信息经过仔细详查，内容可靠无误；虽然如此，若有任何错误，恕不负责。本文所含信息如有变更，恕不另行通知。

若因使用或不当使用本产品或本文，导致任何直接、间接、特殊、意外或后续损害，即使本公司已事先告知此类损害之可能性，亦不负任何赔偿责任。

商标

AVer 为圆展科技股份有限公司之商标。因本内容之描述出现的商标分属个别公司所有且均受知识产权相关法令保护。本文内所有提及之产品或企业名称仅供识别与说明用途，且为各自拥有者之商标或注册商标。

著作权

©2019 圆展科技 版权所有

连络信息

圆展科技股份有限公司
新北市 236 土城区大安路 157 号 8 楼
电话：+886-2-22698535
<http://www.aver.com>

