

## Professional PTZ Camera

**TR310/TR311HN**

**TR311/TR313/TR333/TR331/TR313V2**

**Control Codes (Updated 12/10/2021)**

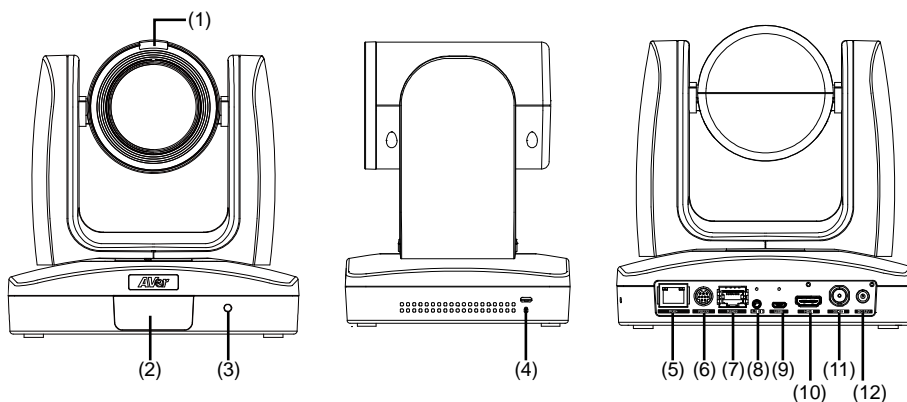


# Contents

Product Introduction .....	1
Overview .....	1
RS232 and RS422 Connection.....	2
OSD Tree .....	6
<b>Camera</b> .....	6
<b>Advanced Setting</b> .....	6
RS232 Command Table .....	7
Visca over IP Settings.....	9

# Product Introduction

## Overview



(1) Tally Lamp (*1)	(5) PoE+ IEEE 802.3AT	(9) USB 3.0 Port (Type C)
(2) IR Sensor	(6) RS232 Port	(10) HDMI Port
(3) Power Indicator	(7) RS422 Port	(11) 3G-SDI Port (*2)
(4) Kensington Lock	(8) Audio In	(12) DC Power Jack

\*Line input level: 1Vrms (max.).

\*Mic input level: 50mVrms (max.); Supplied voltage: 2.5V

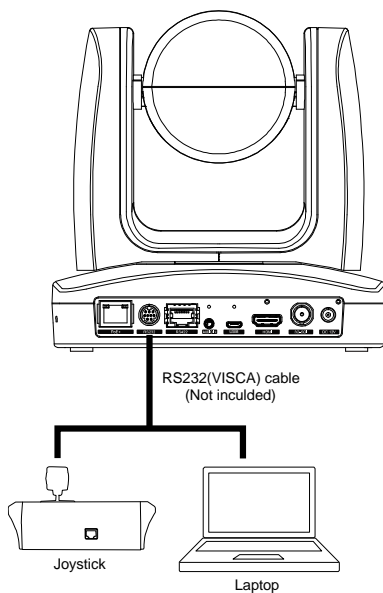
\*1: This feature (Tally) is not supported on TR310.

\*2: This feature (3G-SDI) is not supported on TR310 & TR311HN.

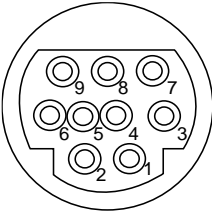
## RS232 and RS422 Connection

Connect through the RS232 or RS422 for camera control.

### ■ RS232

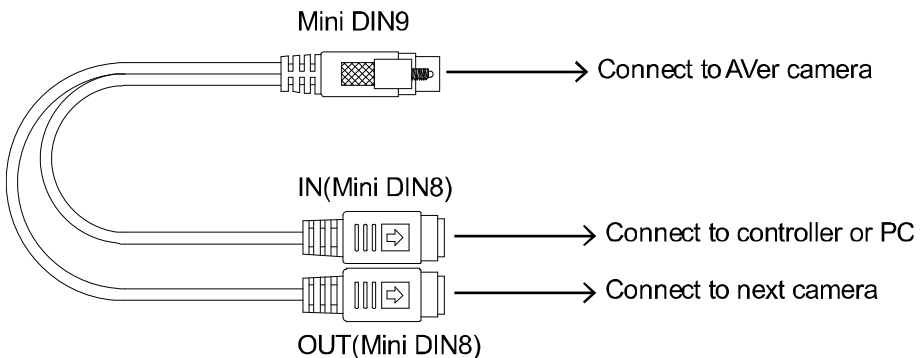


● **RS232 Port Pin Definition**

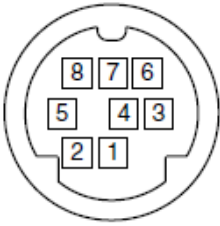


Function	Mini DIN9 PIN #	I/O Type	Signal	Description
VISCA IN	1	Output	DTR	Data Terminal Ready
	2	Input	DSR	Data Set Ready
	3	Output	TXD	Transmit Data
	6	Input	RXD	Receiver Data
VISCA OUT	7	Output	DTR	Data Terminal Ready
	4	Input	DSR	Data Set Ready
	8	Output	TXD	Transmit Data
	9	Input	RXD	Receiver Data
	5	---	---	Not connect

● **RS232 mini DIN9 to mini DIN8 Cable Pin Definition**

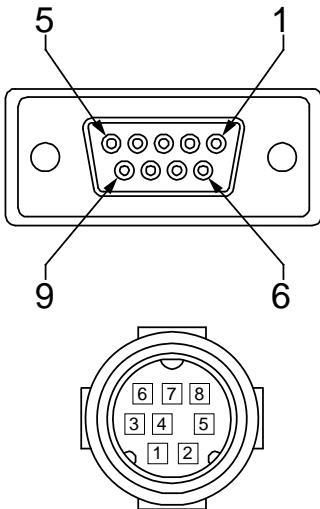


## Mini DIN8 Cable Pin Definition

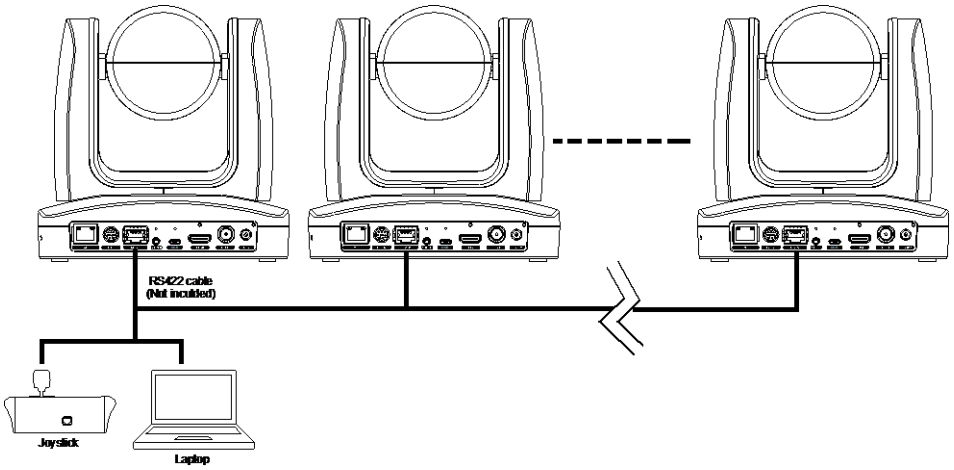


No.	Signal
1	DTR
2	DSR
3	TXD
4	GND
5	RXD
6	GND
7	NC
8	NC

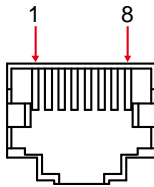
## ● Din8 to D-Sub9 Cable Pin Definition



■ RS422

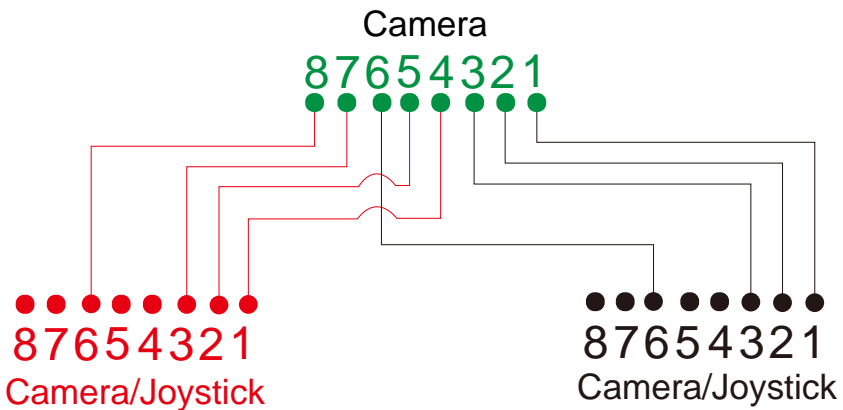


[Note] Use cat5e splitter for multi-camera connection.



RS422 Pin			
No.	Pin	No.	Pin
1	TX-	5	TX+
2	TX+	6	RX+
3	RX-	7	RX-
4	TX-	8	RX+

Cat5e splitter pin assignment:



## OSD Tree

### Camera

Go to Advanced Setting -> Control. Make sure the Camera Address, Baud Rate setting is correct.

### Advanced Setting

Advanced Setting	Audio	
	Input Type	Mic in/Line in
	Auto Gain Control	OFF/ON
	Noise Suppression	OFF/Low/Normal
	Audio Volume	0 ~ 10
	Control	
	Type	RS232/RS422
	Protocol	VISCA/Pelco-P/ Pelco-D
	Camera Address	1~7
	Baud Rate	2400/4800/9600/38400
	Tracking	ON/OFF



## RS232 Command Table (Based on Camera FW .35 or above)

Command Set	Command	Command Packet	Comments
CAM_Power	On	8x 01 04 00 02 FF	
	Off	8x 01 04 00 03 FF	Power ON/OFF
CAM_Zoom	Stop	8x 01 04 07 00 FF	
	Tele(Variable)	8x 01 04 07 2p FF	p=0 (Low) to 7 (High)
	Wide(Variable)	8x 01 04 07 3p FF	
	Direct	8x 01 04 47 0p 0q 0r 0s FF	pg/rs: Zoom Position TR311, TR313, TR311HN, TR313V2: 0x0000-0x6f20 TR331, TR333V2: 0x0110-0x5490
CAM_Focus	Stop	8x 01 04 08 00 FF	
	Far (Standard)	8x 01 04 08 02 FF	
	Near (Standard)	8x 01 04 08 03 FF	Each 'Far/Near' needs a 'stop'
	Auto Focus	8x 01 04 38 02 FF	
	Manual Focus	8x 01 04 38 03 FF	
	One Push	8x 01 04 18 01 FF	
CAM_WB	Direct	8x 01 04 47 0p 0q 0r 0s FF	pg/rs: Zoom Position
	Auto	8x 01 04 35 00 FF	Normal Auto
	ATW	8x 01 04 35 04 FF	
	Indoor	8x 01 04 35 01 FF	
	Outdoor	8x 01 04 35 02 FF	
	One Push WB	8x 01 04 35 03 FF	One Push WB mode
CAM_RGain	Manual	8x 01 04 35 05 FF	Manual Control mode
	One Push	8x 01 04 10 05 FF	One Push WB Trigger
	Up	8x 01 04 03 02 FF	Manual Control of R Gain
CAM_Bgain	Down	8x 01 04 03 03 FF	
	Up	8x 01 04 04 02 FF	Manual Control of B Gain
CAM_AE	Down	8x 01 04 04 03 FF	
	Full Auto	8x 01 04 39 00 FF	Automatic Exposure mode
	Manual	8x 01 04 39 03 FF	Manual Control mode
	Shutter Priority	8x 01 04 39 0A FF	Shutter Priority Automatic Exposure mode
CAM_Shutter	Iris Priority	8x 01 04 39 0B FF	Iris Priority Automatic Exposure mode
	Bright	8x 01 04 39 0D FF	Bright Mode (Manual control)
	Up	8x 01 04 0A 02 FF	Shutter Setting
CAM_Iris	Down	8x 01 04 0A 03 FF	
	Up	8x 01 04 08 02 FF	Iris Setting
CAM_Gain	Down	8x 01 04 08 03 FF	
	Up	8x 01 04 0C 02 FF	Gain Setting
CAM_Bright	Down	8x 01 04 0C 03 FF	
	Up	8x 01 04 0D 02 FF	Bright Setting
	Down	8x 01 04 03 03 FF	
CAM_Backlight	Up	8x 01 04 0E 02 FF	Exposure Compensation Amount Setting
	Down	8x 01 04 0E 03 FF	
	On	8x 01 04 33 02 FF	Back Light Compensation ON/OFF
	Off	8x 01 04 33 03 FF	

CAM_Preset	Reset	8x 01 04 3F 00 pp FF	pp: Preset Number 0x00~0xFF
	Set	8x 01 04 3F 01 pp FF	
	Recall	8x 01 04 3F 02 pp FF	
CAM_Menu	On/Off	8x 01 06 06 10 FF	Display ON/OFF
Pan-tilt Drive	Up	8x 01 06 01 VV WW 03 01 FF	VV: Pan speed setting 0x01 (low speed) to 0x18 (high speed) WW: Tilt speed setting 0x01 (low speed) to 0x18 (high speed)
	Down	8x 01 06 01 VV WW 03 02 FF	
	Left	8x 01 06 01 VV WW 01 03 FF	
	Right	8x 01 06 01 VV WW 02 03 FF	
	UpLeft	8x 01 06 01 VV WW 01 01 FF	
	UpRight	8x 01 06 01 VV WW 02 01 FF	
	DownLeft	8x 01 06 01 VV WW 01 02 FF	
	DownRight	8x 01 06 01 VV WW 02 02 FF	
	Stop	8x 01 06 01 VV WW 03 03 FF	
	Home	8x 01 06 04 FF	
	Reset	8x 01 06 05 FF	
Absolute Position (v26 or above)		8x 01 06 02 VV WW 0Y 0Y 0Y 0Z 0Z 0Z 0Z FF	VV: Pan speed setting 0x01 (low speed) to 0x18 (high speed) WW: Tilt speed setting 0x01 (low speed) to 0x18 (high speed) YYYY: Pan Position 8A14 to 762C (CENTER 0000) ZZZZ: Tilt Position 468B to E898 (Image Flip: OFF) (CENTER 0000)
CAM_WDR	On	8x 01 04 3D 02 FF	Wdr ON/OFF
	Off	8x 01 04 3D 03 FF	
CAM_MenuEnter		8x 01 7E 01 02 00 01 FF	Enter Submenu
Tally Lamp ON		8x 01 7E 01 0A 00 02 FF	
Tally Lamp OFF		8x 01 7E 01 0A 00 03 FF	
Freeze	Freeze On	81 01 04 62 02 FF	Freeze On Immediately
	Freeze Off	81 01 04 62 03 FF	Freeze Off Immediately
	Preset Freeze On	81 01 04 62 22 FF	Freeze On When Running Preset
	Preset Freeze Off	81 01 04 62 23 FF	Freeze Off When Running Preset
Auto Tracking	On	8x 01 04 7D 02 FF	Auto tracking ON/OFF
	Off	8x 01 04 7D 03 FF	
CAM_Memory Special	Set	8x 01 04 3F 01 pp FF	pp: 0x00 To 0xFF normal preset
			pp: 0xA5 => Trun on OSD menu
			pp: 0xA0 => Full Body
			pp: 0xA1 => Upper Body
			pp: 0xA2 => Tracking Point
			pp: 0xA3 => Switch
			pp: 0xA4 => Presenter mode (supported in FW v25 or newer)
			pp: 0xA5 => Zone mode (supported in FW v25 or newer)
			pp: 0xA6 => Hybrid mode (supported in FW v35 or newer)

zoom_Pos_Inq	8x 09 04 47 FF	y0 50 0p 0q 0r 0s FF	pqrs: Zoom Position
PT_Pos_Inq	8x 09 06 12 FF	y0 50 0Y 0Y 0Y 0Z 0Z 0Z 0Z FF	YYYY: Pan Position 8A14 to 762C (CENTER 0000) ZZZZ: Tilt Position 468B to E898 (Image Flip: OFF) (CENTER 0000)
CAM_Preset Inq	8x 09 04 3F FF	y0 50 pp FF	Return the last preset number which has been operated pp:01~FF
CAM_Tracking status	8x 09 36 69 02 FF	y0 50 01 FF	On
		y0 50 00 FF	Off
CAM_Tracking_mode	8x 09 36 69 01 FF	y0 50 01 FF	Presenter
		y0 50 02 FF	Zone
		y0 50 03 FF	Hybrid
CAM_Tracking body size	8x 09 36 69 03 FF	y0 50 01 FF	Full body
		y0 50 02 FF	Upper body
CAM_OSD MENU on/off	8x 09 7E 04 76 01 FF	y0 50 02 FF	On
		y0 50 03 FF	Off
CAM_Tally	8x 09 7E 01 0A FF	y0 50 02 FF	On
		y0 50 03 FF	Off
CAM_WDR mode	8x 09 04 3D FF	y0 50 02 FF	On
		y0 50 03 FF	Off
CAM_BLC mode	8x 09 04 33 FF	y0 50 02 FF	On
		y0 50 03 FF	Off
CAM_Live Freeze	8x 09 04 62 01 FF	y0 50 02 FF	Freeze On
		y0 50 03 FF	Freeze Off
		y0 50 02 FF	Preset Freeze On
CAM_Preset Freeze	8x 09 04 62 02 FF	y0 50 03 FF	Preset Freeze Off
Firmware version	8x 09 36 69 04 FF	y0 50 0p 0q 0r 0s 0t 0u 0v 0w FF	fw. ver: p.q.rstu.vw

# Visca over IP Settings

## VISCA over IP

### PORT

Internet protocol	IPv4
Transport protocol	UDP
Port address	52381

### FORMAT

	byte 0	byte 1	byte 2	byte 3	byte 4	byte 5	byte 6	byte 7	byte8 ~~~	byte23	
func	Payload type		Payload length		Sequence number			Payload (1 to 16 bytes)			
data	Value1	Value2	1~16 (0x0001~0x0010)		0X00000000 ~ 0XFFFFFFF			VISCA Packet (see page VISCA)			

### Payload type

Name	Value1	Value2	Description
VISCA command	0x01	0x00	Stores the VISCA command.
VISCA inquiry	0x01	0x10	Stores the VISCA inquiry.
VISCA reply	0x01	0x11	Stores the reply for the VISCA command or VISCA inquiry

### Sequence number

