

MD330U Series PTZ Camera

QR Code Card

User manual:



www.aver.com/download/md330u

Warranty Policy

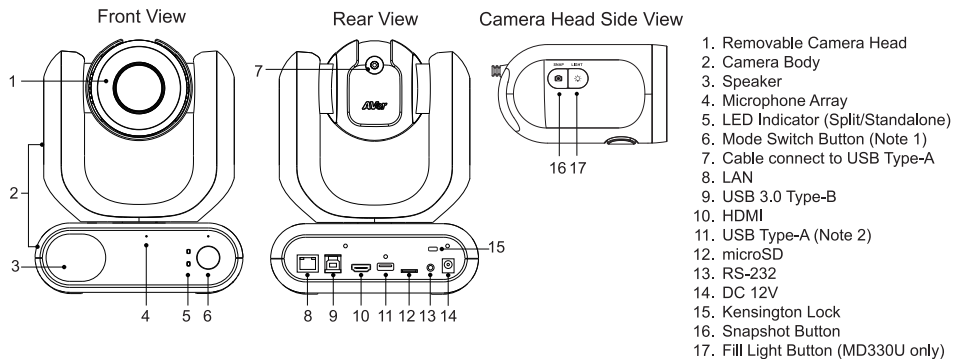
AVer Information Inc. offers a 3-year parts and labor warranty for the MD series models.

We provide 1-year warranty for accessories.

AVer Limited Warranty may vary in different countries. Please check with your local agents or resellers for details.

Overview

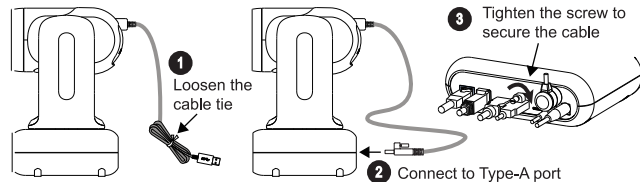
MD330U Series PTZ Camera is a split-type camera designed with a removable Camera Head. Two models are provided: MD330U (Fill Light) and MD330UI (Night Vision).



[Note 1] The MODE button can be used when removing or installing Camera Head. Press the button first and then remove Camera Head; or install Camera Head first and then press the button.

[Note 2] DO NOT connect the USB Type-A port to any USB devices, which may cause electrical damage to your USB devices.

The cable is for Camera Head connection, before connecting the cable to the USB Type-A port, please follow step 1-3 as illustrated.



Federal Communication Commission Interference Statement

This device complies with Part 15 of the FCC Rules. Operation is subject to the following two conditions: (1) This device may not cause harmful interference, and (2) this device must accept any interference received, including interference that may cause undesired operation.

This equipment has been tested and found to comply with the limits for a Class B digital device, pursuant to Part 15 of the FCC Rules. These limits are designed to provide reasonable protection against harmful interference in a residential installation. This equipment generates, uses and can radiate radio frequency energy and, if not installed and used in accordance with the instructions, may cause harmful interference to radio communications. However, there is no guarantee that interference will not occur in a particular installation. If this equipment does cause harmful interference to radio or television reception, which can be determined by turning the equipment off and on, the user is encouraged to try to correct the interference by one of the following measures:

- Reorient or relocate the receiving antenna.
- Increase the separation between the equipment and receiver.
- Connect the equipment into an outlet on a circuit different from that to which the receiver is connected.
- Consult the dealer or an experienced radio/TV technician for help.

FCC Caution: Any changes or modifications not expressly approved by the party responsible for compliance could void the user's authority to operate this equipment.

Warning

This Class B digital apparatus complies with Canadian ICES-003.

Cet appareil numérique de la classe B est conforme à la norme NMB-003 du Canada.

Caution

- Risk of explosion if battery is replaced by an incorrect type.
- Dispose of used batteries in a safe and proper manner.

限用物質含有情況標示資訊參考下列網址：<https://tw.aver.com/page/RoHS>

Contact Information

Headquarters

AVer Information Inc.
<https://www.aver.com>
8F, No.157, Da-An Rd., Tucheng Dist.,
New Taipei City 23673, Taiwan
Tel: +886 (2) 2269 8535

USA Branch Office

AVer Information Inc., Americas
<https://www.averusa.com>
668 Mission Ct., Fremont, CA 94539, USA
Tel: +1 (408) 263 3828
Toll-free: +1 (877) 528 7824
Technical support: support.usa@aver.com

Europe Branch Office

AVer Information Europe B.V.
<https://www.avereurope.com>
Westblaak 134, 3012 KM, Rotterdam,
The Netherlands
Tel: +31 (0) 10 7600 550
Technical support: eu.rma@aver.com

Japan Branch Office

アバー・インフォメーション株式会社
<https://jp.aver.com>
〒160-0023 日本東京都新宿区西新宿
3-2-26 立花新宿ビル 7 階
Tel: +81 (0) 3 5989 0290
テクニカル・サポート: VCInfo.JP@aver.com

Vietnam Branch Office

Công ty TNHH AVer Information (Việt Nam)
Tầng 5, 596 Nguyễn Đình Chiểu, P.3, Quận 3,
Thành phố Hồ Chí Minh 700000, Việt Nam
Tel: +84 (0)28 22 539 211