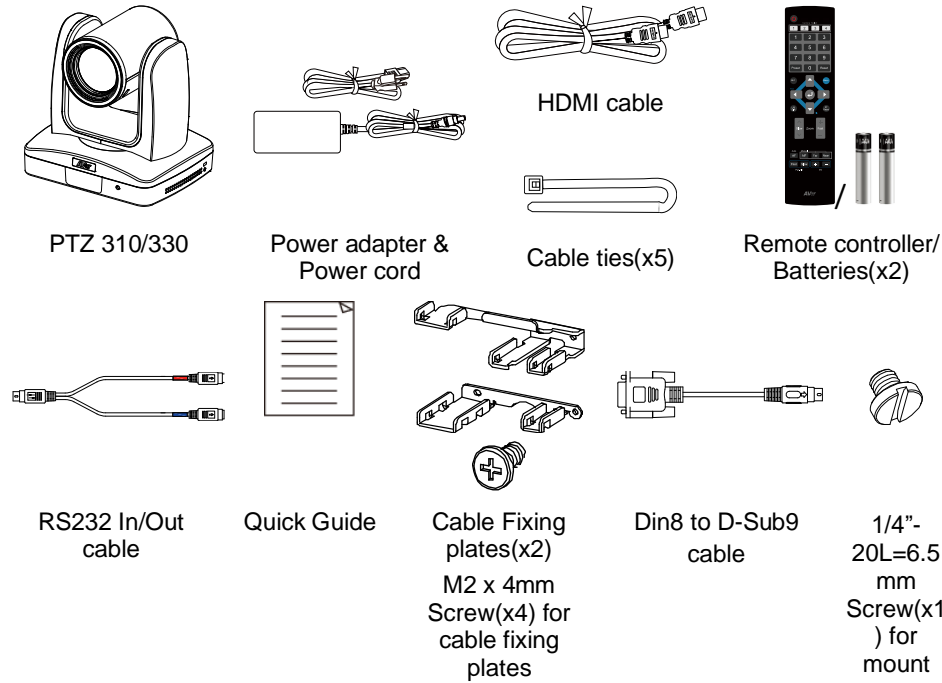


PTZ310/330/310N/330N/310W/330W

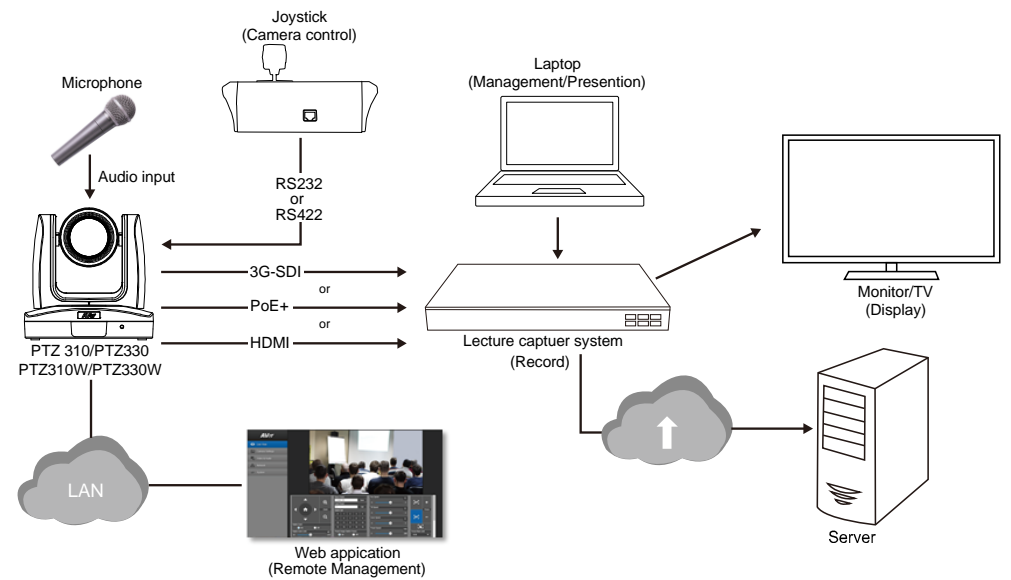
Quick Start Guide

Package Contents

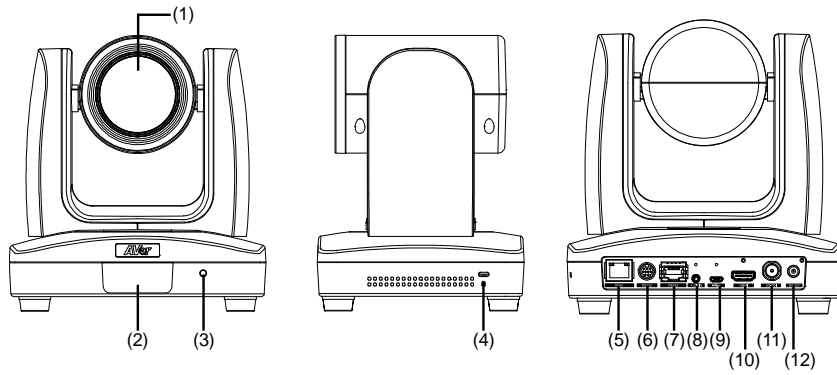


- (1) Camera lens
- (2) IR sensor
- (3) Power indicator
- (4) Kensington lock
- (5) PoE+ port
- (6) RS232 port
- (7) RS422 port
- (8) Audio IN
- (9) micro-USB port
- (10) HDMI port
- (11) 3G-SDI port
- (12) DC Power jack

Connections



Overview

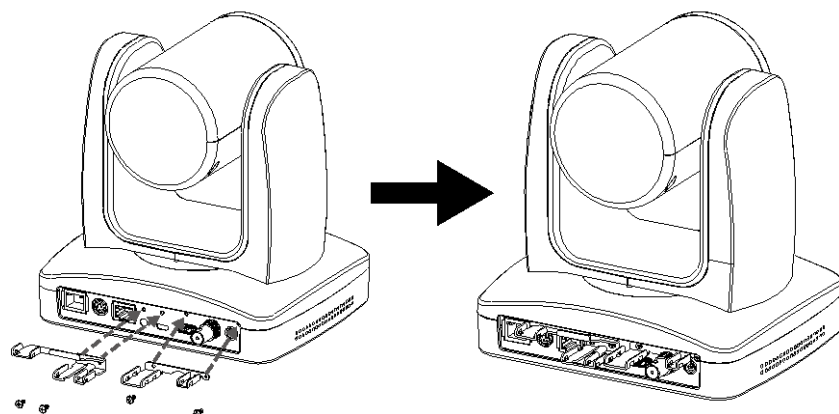


LED Indicator

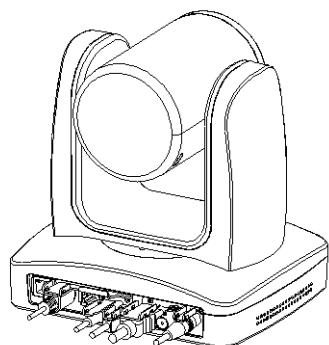
LED	Status
Blue(Solid)	Normal Operation
Orange(Blinking)	Camera Initialization
Orange (Solid)	Standby
Red(Blinking)	FW Updating

Install Cable Fixing Plate

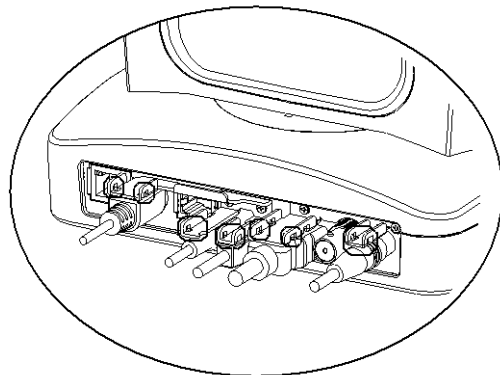
- ① Secure the cable fixing plate to the camera with screws.



- ② Plug-in cables.

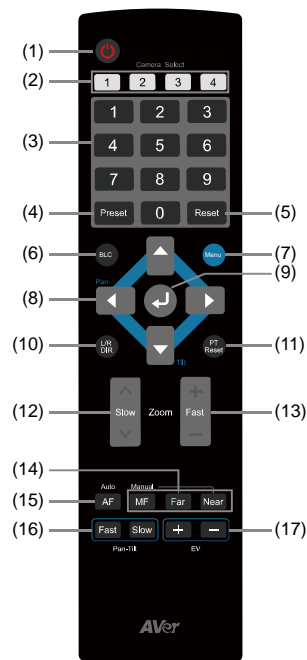


- ③ Using cable ties to secure the cable and cable fixing plate.



Remote Controller

The remote controller requires two (2) "AAA" size batteries (supplied), make sure batteries are installed properly before use.



Name	Function
(1) Power	Turn the unit on/standby.
(2) Camera Select	Select 1~4 PTZ camera.
(3) Numeric Pad	<ul style="list-style-type: none"> Use for setting the preset position 0~9. Press number button (0~9) to move the camera to pre-configure preset position 0~9.
(4) Preset	Press " Preset " + " Number button (0~9) " to set the preset position.
(5) Reset	Press " Reset " + " Number button (0~9) " to cancel the pre-configure preset position.
(6) BLC	Turn on/off backlight compensation
(7) Menu	Open and exit the OSD menu.
(8) ▲, ▼, ◀, ▶	Pan and tilt the camera lens.
(9) ↵	<ul style="list-style-type: none"> Confirm the selection or make a selection in OSD menu. One push focus.
(10) L/R DIR	Left and right orientation setting. <ul style="list-style-type: none"> Press "L/R DIR" + "#1" button to reset setting. Press "L/R DIR" + "#2" button to move to opposite direction.
(11) PT Reset	Reset the Pan-Tilt position.
(12) Zoom Slow	Zoom in/out slow.
(13) Zoom Fast	Zoom in/out fast.
(14) MF/Far/Near	Enable manual focus. Use Far/Near to adjust the focus.
(15) AF	Auto focus.
(16) Pan-tilt Fast/Slow	Pan-Tilt speed adjustment.
(17) EV +/-	EV level adjustment.

Federal Communication Commission Interference Statement

NOTE: This equipment has been tested and found to comply with the limits for a Class A digital device, pursuant to part 15 of the FCC Rules. These limits are designed to provide reasonable protection against harmful interference when the equipment is operated in a commercial environment. This equipment generates, uses, and can radiate radiofrequency energy and, if not installed and used in accordance with the instruction manual, may cause harmful interference to radio communications. Operation of this equipment in a residential area is likely to cause harmful interference in which case the user will be required to correct the interference at his own expense.

FCC Caution: Any changes or modifications not expressly approved by the party responsible for compliance could void the user's authority to operate this equipment.

This device complies with part 15 of the FCC Rules.

The Operation is subject to the following two conditions:

- (1) This device may not cause harmful interference, and
- (2) this device must accept any interference received, including interference that may cause undesired operation.

Warning: This is a class A product. In a domestic environment this product may cause radio interference in which case the user may be required to take adequate measures.

©2018 AVer Information Inc. All rights reserved.

All rights of this object belong to AVer Information Inc. Reproduced or transmitted in any form or by any means without the prior written permission of AVer Information Inc. is prohibited. All information or specifications are subject to change without prior notice.